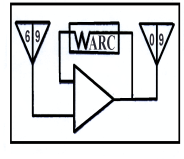




FEEDBACK



Warminster Amateur Radio Club

Web Site <http://www.k3dn.org>

June 2002

Next Meeting June 6th - Pizza and Home Brew

President's Message



The 2002 Warminster Hamfest was great success. We had perfect hamfest weather, lots of sellers and buyers and many positive comments from all who attended. The hamfest is the financial life blood of the club and the hard work by all of you and especially Bill K3ZMA -- this year's hamfest chairman -- will enable WARC to offer all that it does to its members and the public. Shortly, we will start the planning for next year's hamfest. By starting early we can not only reserve the Grange date that we want but we do not leave ourselves with a ton of work at the last minute. If there is anything you would like to help with (and there are many little jobs that need attention) in the planning of the hamfest, please let Bill K3ZMA know. He will be glad to give you all the assistance you need.

WARC traditionally hosts a pizza party at the meeting following the hamfest as a thank you to all who helped in one way or another. This year we have decided to actually hold the June meeting at Graeme Park Pizza & Cafe. It is located at Rt. 611 and County Line Rd. in the little strip mall at the north end of Willow Grove Joint Reserve Base. We can park there or across the street. Talk-in will be available on the repeaters and the starting time will be our normal 7:30 PM.

Legislation was just introduced in the U.S. Congress to address the CC&R antenna placement problem. Many of us are quite fortunate not to have antenna restrictions in the sub-divisions that we live in, but others are not so lucky. I urge you to write your

ATTENTION: NEW MEETING PLACE THIS MONTH

Pizza Social and Home Brew Night

Keeping with tradition, the club awards its membership for a "job well done" after the hamfest with a pizza social night. This year we will hold the regular meeting at the pizza restaurant. We will meet at **7:30** at the **Graeme Park Pizza & Cafe, 801 County Line Rd., Horscham, Pa.** The restaurant can be found at the north end of the Willow Grove Air Station at the corner of County Line Rd and Rt. 611 (Easton Rd), across from the Regal Theater. Plenty of parking is available at the restaurant or across the street at the theater.

GET THE FEEDBACK ELECTRONICALLY AND SAVE THE CLUB MONEY!

The current costs of mailing a Feedback including the upcoming postage increase is \$8.04/year/member. That's \$804/year of savings if 100 members elected to receive Feedback electronically. See Bud, K3TPM to remove you from the mailing list. You can then access the Feedback from the WARC website.

congressman and ask for his or her support in passing this piece of legislation. The ARRL Atlantic Division has sent an email with details covering the lobbying effort and a sample letter. I will see that this information gets posted on the club's web site so you can reference it.

Field Day and the annual club picnic are once again being combined this year. Hopefully it will be a lot dryer this year. Field Day is June 22 and 23 and the picnic will be held the afternoon and evening of Saturday, June 22. Once again both will be at National Shrine of Our Lady of Czestochowa, 654 Ferry Road, Doylestown. Look for more details elsewhere in the newsletter. If you

(Continued on page 2)

The Warminster Amateur Radio Club is a volunteer-based organization. Without the selfless work performed by volunteers such as yourself, there would be no Club.



(Continued from page 1)

have been wondering what Field Day is like, this will give you a chance to stop up and operate.

Now, unfortunately some bad news. The cellular tower deal at the Warminster Township building has died. AT&T decided it did not need the location and as a result SBA will not erect the tower. For the time being, the current tower (which the township still needs) will remain. The water tower across the street will be taken down over the summer, so our signal to the east should improve. The repeater committee will keep the club informed of any new developments.

Finally, the current members of the Board would like to thank you for re-electing us to another term in office. We appreciate your faith in us and we will endeavor to do our best for Warminster Amateur Radio Club. See you at the June meeting.

73,
Mark Kempisty - N3GNW
President
Warminster Amateur Radio Club

FROM THE VICE PRESIDENT:

Here's some info on upcoming meetings:

The June meeting will be our Home Brew and Pizza Night. All members and visitors are encouraged to bring in the projects they have been working on these past few months. They will be asked to share their experience of working on them and give advice to anyone contemplating a similar undertaking.

In July, our own Fred Rice W3KIO and Al Tribble W3STW will make a presentation of Digital Communications. Although their primary focus will be PSK-31, I am told that the concepts apply to all forms of amateur radio digital communication.

Minutes of Warminster ARC May 2, 2002 Dave, AA3UR, Secretary

The meeting was called to order by the President, Mark Kempisty, N3GNW. We had one guest, Bart WA3TKS and a new member, KB3HWR. The minutes from the April meeting, as printed in *Feedback* were approved. Mark N3GNW mentioned that the Hamfest will be held on May 5, 2002 at the Grange Fairgrounds. This is the major fund-raiser for the club and needs the active support of club members. The June meeting will be held at Graeme Park Pizza Café, 801 County Line Road, Horsham, PA 19044. Their phone number is 215 343 3465. We will have our post-hamfest pizza night and homebrew night. Everyone who has some homebrew, be sure to bring it to the meeting. The membership approved spending for the 2002 Field Day and Club Picnic greater than \$1000 by voice vote. The July club meeting which would normally fall on the 4th will be moved to July 11th, the second Thursday of July. The Pennypack cleanup went well with no emergencies. The club was given a beautiful National, NC183D for sale at the hamfest. The membership approved selling the NC183D either at the April meeting for \$450 or at the hamfest through a silent auction with a reserve price to be determined by the Executive Board at the hamfest upon review of the bids. This passed by voice vote. It was later sold at the meeting for \$450.

Tony, N3YNH went over the next few meeting programs. The program for this meeting was put on by Ron Dunbar and Steve (?) from the Philadelphia Area Computing Society. The June meeting program will be Homebrew. The July meeting topic will be PSK-31.

Vahan KB3DHU gave the

treasurer's report.

Dave, AA3UR, had nothing to report from the Secretary.

Bill KA3ZMA reported on the upcoming Hamfest. The entrance fee will be \$5.00 with vendors paying an additional \$10.00. People wanting to attend the VE exam will not be charged admission per ARRL VE rules. Volunteers will be needed starting at 5:30 AM and extending into the afternoon for cleanup.

George, N3HBT reported that the following public service events:

1. Warminster Memorial Day Parade 10:00AM to 1:00PM. Will include food with the Fire Department after the parade.
2. Hole In One Golf: June 6th Need 10 Operators. Hot meal will be served after the event.

Repeater: Hamfest announcements will be made through Sunday.

Bud K3TPM and Mark WA3QBU reported that they had several renewals and one new member. The original ARC5 transmitter owned by K3DN has been offered to the club, if we are interested. Discussion ensued and a motion to obtain the transmitter for display in the lobby was passed by voice vote.

Election Results: The unopposed slate of officers was elected.

RACES: Several drills will be held May 7, 2002. PEMA and FEMA representatives will observe 7:00 PM on 145.350MHz. 4:00 to 9:00 PM will be a Limerick Drill on 146.835MHz

Stu, K2QBU reported on Field Day preparations for June 22-23, 2002. Have the site, tents tables, chairs, and generator. Now we need operators to sign up. He is looking for a CW band captain in particular.

(Continued on page 3)

(Continued from page 2)

Old Business:

Air Show: Steve, WW3Y had no new information.

The QSL cards have been received.

The meeting was adjourned, followed by refreshments, 50/50 drawing, and The program on Windows by the Philadelphia Area Computing Society.

Annual WARC Picnic at Field Day

Each year WARC sponsors a club picnic for the benefit of its membership and their families. This year's picnic will be held during Field Day weekend (June 22-23) at the National Shrine of Our Lady of Czestochowa, 654 Ferry Road, Doylestown. Talk-in will be available on the repeater and it is easily reached from the Rt. 611

bypass. Specifically the picnic will start on Saturday June 22 at 3:00 PM with dinner being served around 5:00 PM. If you have never been to Field Day, this will be your opportunity to stop by and see what the most popular amateur radio operating event is all about.

For the picnic, WARC supplies hamburgers, hot-dogs, buns, condiments, picnic salads and beverages. We ask that each family attending bring a covered dish of a family favorite recipe. This can be a main or side dish or even dessert. I will also bring along some games for the family and the kids. If you have a lawn game you would like to bring such as volleyball or croquet, please do so.

As the club picnic is being combined with Field Day some of the volunteer effort will be taken care of as part of the Field Day set-up. However, we will still need one or two volunteers to pick up supplies and help with the cooking. If you would like to help, please let me know. You can reach me at 215-953-1493 or via e-mail at n3gnw@k3dn.org.

I hope to see all of you at the our annual picnic.

73,
Mark N3GNW

Hamfest comments: (Unedited) Collected by Bill, K3ZMA

came home with 1k in my pocket. I think the turnout was o.k. on sellers and buyers.

Looks like most went home around 11:30 to 12, but it was a goods day.

I hope your gate was within reason. Most of the bitching I heard seemed to compare this to Pack Rats, at the drive-in, at it's peak. There is a false association of Warminster Fest to Pack Rats Fest based upon your common use of The Grange. Also, most of the bitching was while in the line to the bathroom, so there was an elevated stress level.

For all the stress from preparation following 3 days of travel, I had a good time. I have not sold for about 7 years and I go to far more computer fests than ham-fests nowadays, maybe that's why participation is down.

Here are the points as I remember, but please take them with a few grains of salt, or potassium, if that's your thing. The Pack Rats HamaRama was located at the 611 Drive In for years. You can compute their total acerage vs your Grange as-used acerage. Pack Rats was so active that they encourage car-pooling and charged \$5 per car. You could arrive between 7-8 and still be there at 2, not having started your second pass-thru. Again, they were on 611 and closer to the PA Turnpike.

Conjecture - Another measure might have been the fact that the mean time between seeing the same face became 10-15 minutes. I joked with one guy on his 8th pass.

Again, these complainers said that Pack - Rats ain't what it used to be, either.

FYI, Gaitersburg took an attendance dive about 8-10 years ago, and is not the same as it was in the 80's And we are saturated with computer fests as well.

While someone said it was a buyer's fest, and another said it was a seller's fest. That tells me they just were cranky. Keep in mind that what I heard was said in the stress of the toilet line. However, you have to admit that the

inside space was underutilized; Mr. Ink Jet moved outside for the first time in my recollection. That may have been a contributor to their viewpoint.

I came to the ham fest on Sunday and bought an o-scope, something like a wavetek signal generator, cable, and some odds and ends. Lots of neat stuff. Spent about \$350 in all.

Well I made it and the weather was great. I wish I could say the same about sales. Seemed to be a fair crowd of people, but they held tightly onto their MONEY.... I struggled and sold a whopping \$74.50, not my worst fest but close. I did hear that Trenton Computer Fest was this week end and that probably stole a lot of the computer freaks from your Fest.

Thanks again, maybe next year will be better.

From my vantage point the hamfest seemed like a success. It did seem that attendance was down but I did OK and others I spoke to seemed to also.

CLUB STATION

The WARC club station is open to anyone with an interest, on Tuesday evenings between the hours of 7:00 and 9:00 pm. For further information, call George Brechmann N3HBT at 215-443-5656.

WARC ALUMNI MEMBERSHIP

Attention all former WARC members. At the March 4, 1999 General Meeting, revisions to our club's constitution were approved that among other things, establishes a new Alumni membership category for former WARC members who are unable to attend meeting and Club activities on a regular basis due to health considerations or travel impediments. Dues for the

(Continued on page 4)

(Continued from page 3)

Alumni membership were established at \$8.00 annually to cover the costs of printing and mailing our monthly FEEDBACK newsletter. Contact Alumni Coordinator Randy Gehman (N3LJE) or Membership co-chair Bud Bechtel (K3TPM) or Membership co-chair Mark Hinkel (WA3QVU) for more information.

FOR SALE

For Sale List - WC3Q - Silent Key

Astron RS 12A, BB power Supply. 12 Volt DC, 9 amp continuous, 12 amp surge.
New \$79.99, asking \$40.00.

Note: This P/S is equipped with the "BB" option; The internal circuit board is factory modified for "Battery Back-Up". It has external lugs for connection a gel-cell (or larger) to the P/S. If a black out should occur, the equipment on the output of the P/S will not be effected.
Perfect for any Ham!

Contact Harold Cassidy (Brian's father) directly;
E-mail: Harold
Cassidy K3OMX@juno.com
Phone: 215-675-3845

FCC Releases Details Of 5 MHz, 136 kHz And 2400-2402 MHz Proposals

NEWINGTON, CT, May 15, 2002--
The FCC has released the Notice of Proposed Rulemaking in ET Docket 02-98, which proposes to create new amateur allocations at 5 MHz and 136 kHz and to elevate the status of Amateur Radio at 2400 to 2402 MHz from secondary to primary. The FCC voted unanimously May 2 to adopt the NPRM in ET Docket 02-98.

In response to separate petitions filed by the ARRL, the Commission announced in a Public Notice released May 9 that it would propose a new, secondary, domestic (US-only) HF allocation at 5.25 to 5.4 MHz and a new LF allocation 135.7 to 137.8 kHz. If eventually approved, the 5 MHz band would be the first new HF allocation since the early 1980s, when amateurs got 30, 7 and 12 meters. The LF allocation would be the first ever for US hams. The FCC said it received 87 comments on the 5 MHz proposal and 32 comments on the LF proposal.

The FCC has proposed letting amateurs operate at full legal limit on a new 5 MHz allocation, but it left open for further discussion whether to restrict the band to Amateur Extra Class licensees or make it available to

General and higher class licensees. The FCC also invited further comment on whether the band should be broken down into mode-specific subbands. The ARRL had proposed opening the entire band to RTTY, data (including CW), phone and image emission types.

Assuming the 5-MHz band eventually is authorized, it could be a few years before it actually becomes available. The band 5.250 to 5.450 MHz now is allocated to Fixed and Mobile services on a co-primary basis in all three ITU regions.

On 136 kHz, the FCC has proposed mirroring technical limits suggested by Canada during World Radiocommunication Conference 2003 preparations to 1 W effective isotropic radiated power (EIRP) and with a transmission bandwidth of only 100 Hz.

WARC JACKETS, SHIRTS AND HATS

Are available. Delivery within one month of placing order- the more we order, the lower the prices. See Bob (K3SRO) or call him at 215-822-7474 for order forms and cost information.

2002 Contest Calendar

Month	Contest
June	08 - 10 ARRL June VHF QSO Party 22 - 23 ARRL Field Day
July	13 - 14 IARU HF World Championships
August	03 - 04 ARRL UHF Contest 17 - 18 ARRL 10 GHz and Up Contest
September	14 - 16 ARRL September VHF QSO Party 21 - 22 ARRL 10 GHz and Up Contest



➤ CLUB EQUIPMENT

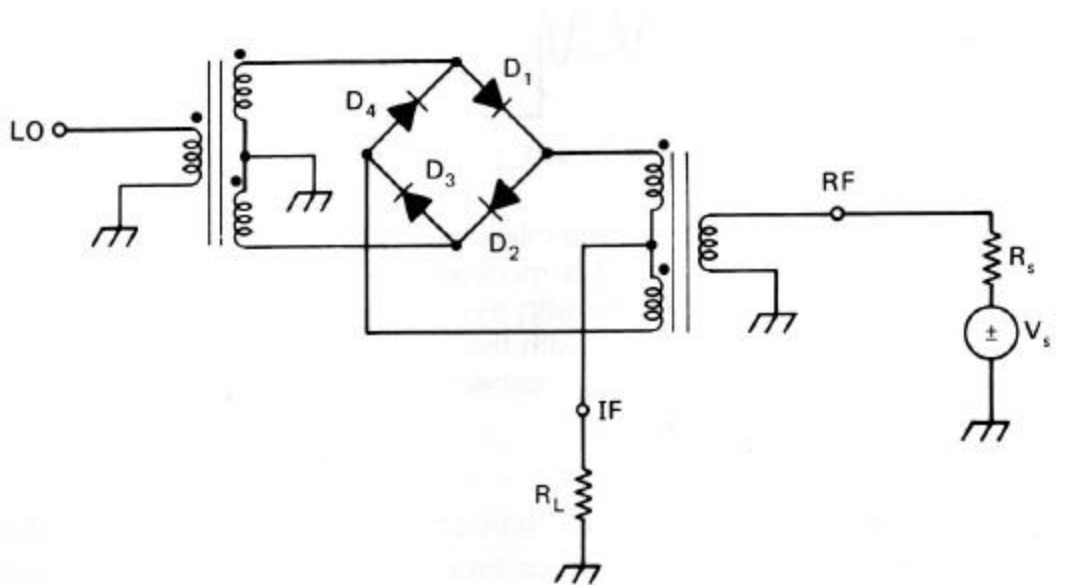
WARC members can borrow club equipment- see the club Vice-President, who is responsible for keeping track of club property. In addition to the normal HAM JUNQUE, we have two ICOM HT's with accessories (one for 2 meters; one for 440mhz) and an ICOM 2 meter all-mode available. WARC policy is to make club equipment available on a three (3) month loan policy to club members. As custodian of club property, you will have to sign a form acknowledging your financial responsibility to WARC in the event the loaned equipment is lost or damaged.
DE, Mark Kempisty, N3GNW

(Editor's Note: The following is a clarification of a point made at the April program presented by Bill. It was received too late for the May Feedback but was included with the electronic Feedback for May on the WARC site.)

A Question of Balance

I want to thank Don, N3OZO, for correcting my rambling on last month about the similarity between the Doubly Balanced Mixer (DBM), shown below, and a full wave bridge rectifier. As Don stated, the diodes are connected so that they are in a ring going the same direction, whereas a full wave bridge rectifier has the diodes connected in opposing pairs. This type of mixer is sometimes called a "ring" mixer or "commutating" mixer. Don told me at the post-meeting milk and cookies session that he had run into this circuit in his work in servo systems.

As I said in the presentation, and Don echoed, one of the keys to the operation of the DBM is the balance provided by the two center tapped transformers and the connection of the IF load (R_L) between these balanced points. For a DBM to operate properly the LO signal must be much larger than the RF signal and effectively the only signal which turns on (forward biases) the diodes.



How it works

Very briefly, when the secondary of the LO transformer top end (dotted end) is positive, diodes D1 and D2 are turned on by the LO signal, and D3 and D4 are basically open circuited. Since there is a balance of one diode and $\frac{1}{2}$ LO transformer in each leg of the circuit to the top of the RF transformer, the LO signal is balanced out at the RF transformer and no LO signal goes out the RF port. But the "on" diodes allow the RF signal to circulate from the top half of the RF transformer secondary, through the IF load (resistor) and the center tap of the LO transformer.

When the LO transformer top end (dotted end) is negative, diodes D3 and D4 are turned on by the LO signal, and D1 and D2 are now open circuited. Again there is a balanced path to the RF transformer and no LO signal goes out the RF port of the mixer. But this time the lower half of the RF transformer secondary supplies the RF signal that circulates through the IF load, center tap of the LO secondary, both on diodes (D3 & D4), and back to the lower end of the RF secondary. Go ahead and take some colored pencils and trace the two paths, it's a neat circuit.

So as the LO signal changes the polarity of the secondary voltage, the net effect is that the RF signal is switching (or commutating) between the two halves of the RF secondary. Since the IF load resistor is connected to the RF transformer secondary center tap, the result is that the RF signal appearing on the IF load is switching its phase 180 degrees at the rate of the LO frequency but its amplitude is determined by the RF signal amplitude (the LO signal balances out at the IF port also). This multiplying of the RF signal by the LO signal is what achieves the mixing function in the DBM, a different phenomenon than the square law mixing that occurs in FET or transistor mixers.

A typical Doubly Balanced Mixer will have a conversion loss of 7 dB, port to port isolation of 50 dB, require at least 5 milliwatts of LO drive and can operate from 5 to 500 MHz.

Bill, K3ZMA

ATLANTIC DIVISION HAMFESTS - 2002

+ *indicates ARRL Hamfest*

- 16 Jun 2002 + Frederick ARC Frederick, MD
<http://www.qsl.net/k3erm>
- 4 Jul 2002 + Harrisburg Radio Amateur Club Harrisburg (Bressler), PA
<http://hrac.tripod.com/July4.htm>
- 7 Jul 2002 + Murgas ARC Wilkes-Barre (Dallas), PA
<http://www.qsl.net/k3ytl>
- 14 Jul 2002 + Mid-Atlantic ARC Kimberton, PA
<http://www.marc-radio.org/hamfest.html>

CONVENTIONS and CONFERENCES

- 8 Jun 2002 * Eastern Pennsylvania Section Convention Bloomsburg, PA
Columbia Montour ARC <http://www.qsl.net/cm-arc>

73' de Bernie Fuller N3EFN, Director Atlantic Division ARRL

V.E. TEST LOCATIONS

Confirm all information, in advance, with the contact person. Licensed applicants must bring the original, and one photocopy of their license. All applicants, including children, must bring two forms of positive ID. Also bring the original, and a copy, of any Certificate of Successful Completion needed to prove current status. The ARRL VEC'S 2002 test fee is **\$10.00**.

- ◆ **Warminster Amateur Radio Club**, Monthly, Last Wed. 7:00 pm - Tom Michaud, WA3TQJ, 215-343-3494.
- ◆ **Bellmawr, NJ**, Monthly, 3rd Thursday - Bill Helmatag - 609-546-7710.
- ◆ **Levittown, PA**, Monthly, 1st Saturday - George LeNoir, WR3B, 215-943-4886.
- ◆ **Telford, PA**, Monthly, 3rd Monday - Joe Burgess, W3PNL, 215-723-6697.
- ◆ **Philadelphia, PA**, Monthly, 1st Thursday - 6:00 pm Philmont Mobile Radio Club at the Franklin Institute Dusty Rhoads, ND3Q, 215-482-0386



The Warminster Amateur Radio Club Announces Free Ham Radio Instructional Classes

If you're interested in Ham Radio, or think you might be, this is your opportunity. Perhaps you'd like to learn about digital communications, Morse code, VHF, UHF, satellite, or perhaps you'd rather sit down and chat with someone in South Africa, Russia, Great Britain or in the space shuttle.

We'll help you learn the theory and practices that make for a most enjoyable hobby. There's no telling just how far you'll go unless you make the first move and give yourself a chance to explore the world.

Entry level classes started: **March 11, 2002**
At The Benjamin Wilson Senior Center
580 Delmont Avenue, Warminster, PA

For info. altemus@gac.usa.com or call: 215-855-3856, 6 to 10 pm Ask for George

Area Repeaters

VHF	
145.310	R.F. Hill
145.350	Doylestown R.C.
145.250	Penn Wireless
146.685	Holmesburg
146.925	Willingboro
147.000	Ham Buergers
147.030	Phil-Mont
147.090	Warminster
147.165	Delmont R.C.
147.270	Frankford
147.300	BEARS
147.390	CBRA
145.330	Hilltown
220	
224.580	PackRats
UHF	
443.250	TAG
443.050	Metro-Comm
443.950	Warminster
444.200	BEARS
449.325	KA3WXV
447.475	WR3B
447.625	WE3E
448.225	Penn Wireless
6 Mtr	
53.030	WA3BXW
53.230	N3DQZ
53.370	K3MFI
1296	
1294.100	K3PHL (PL 127.3 as needed)

Goddard ARC

Shuttle Rebroadcast Frequencies

Frequency	Mode	Band
3,860 kHz	(LSB)	80 meters
7,185 kHz	(LSB)	40 meters
14,295 kHz	(USB)	20 meters
21,395 kHz	(USB)	15 meters
28,650 kHz	(USB)	10 meters
147.45 MHz	(FM Simplex)	2 meters

Metro-Link repeater network

29.62	Chester, PA
147.135	Buckshootum, NJ
147.315	Chester, PA
223.96	Millville, NJ
223.98	Ocean city, NJ
224.68	Eagleville, PA
224.96	Chester, PA
443.00	Linwood, PA
443.05	Chester, PA

Net Schedules

Sunday	2100	10 Meter Net	28.440 MHz
Wednesday	2030	2 Meter Net	147.09 Rptr.
Wednesday	2030	Linked w/ 2 Meter Net	443.95 Rptr.
Sunday	2030	Informal Net	223.5 Simplex
Thursday	2000	Bucks Cnty RACES Net	145.35 Rptr.
Thursday	1900	Mont. Cnty RACES Net	146.235 Rptr.

Are you submitting an article for the Feedback ?

Contributions of articles to be published are always accepted for consideration. Please follow these guidelines:

- Submit in IBM format on a floppy disk.
- Or via E-Mail to:
wa4ywm@comcat.com
- Or via snail mail to:
FEEDBACK EDITOR
Warminster Amateur Radio Club
Box 113
Warminster, Pa 18974
- Use both upper and lower case letters.
- Use your program's spell check.
- If you don't have a computer, then typewritten sheets are o.k, but please use both upper and lower case.
- Put your name and call at the beginning or end of the article, and show credits if you are using material from another source.
- Deadline for articles is the Thursday after the Club meeting.
- Volunteers are needed for folding at the Board Meeting, Ben Wilson Center, last Thursday of the month, 7:30 PM.

Bucks Bagels
1179 York road (RT. 263)
Warminster, PA
674-1400

"Home of the fresh, not frozen dough"

The annual dues rate structure is as follows:

Full Member: \$ 20.00
2nd Family Member: \$ 10.00
Student: \$ 10.00
Alumni: \$ 8.00
12th grade or under: \$ 5.00

- Are your dues current ?
- Check the date on your Feedback mailing label.

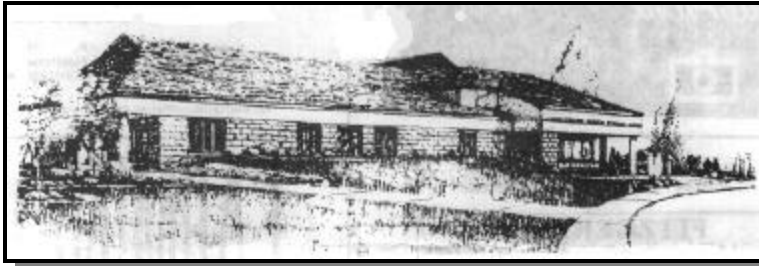
2002 Officers

Executive Officers

President	Mark Kempisty	N3GNW	953-1493
Vice-President	Tony Simek	N3YNH	674-5218
Secretary	Dave Porter	AA3UR	579-0597
Treasurer	Vahan Shahinian	KB3DHU	442-1243
Director (E)	Burt Ludin	N3YVH	441-4483
Director (E)	George Brechmann	N3HBT	443-5656
Director (A)	Al Konschak	WI3Z	491-9941
Director (A)	Hugh Hart	N3SOQ	773-8451
Past President	Rocky Pistilli	N3FKR	572-5330

Committee Chairpersons

Feedback Editor	Jim Elmore	WA4YWM	538-1889
Membership co-Chair	Bud Bechtel	K3TPM	659-9093
Membership co-Chair	Mark Hinkel	WA3QVU	6594449
Field Day '02	Doc Whitticar	W3GAD	968-0641
Field Day '02 co-chair	Stu Simon	K2QBU	345-9295
Grange Fair '02	Frank O'Neill	N3UQP	699-9549
Hamfest '02	Bill Strunk	K3ZMA	882-0749
January '02 VHF Contest	Joe Bagnick	N3EMA	997-2539
PA QSO Party '02	Marty Squicciarini	NR3Z	393-1492
Picnic '02	Mark Kempisty	N3GNW	953-1493
Adopt-A-Highway	Hugh Hart	N3SOQ	773-8451
Archives	Frank O'Neill	N3UQP	699-9549
Alumni Coordinator	Randy Gehman	N3LJE	822-9473
ARES Liaison	Mike Patton	W3MJP	491-9665
ARRL Liaison	Kristina Pistilli	KB3ECW	572-5330
Awards Mgr.	Vince Pironti	KD3TC	674-0446
Classes	George Altemus	KA3WXV	855-3856
DXpedition	Doc Whitticar	W3GAD	968-0641
Special Interest Groups	Ron Wenig	NY3J	638-9257
CW/QRP co-chair	Marty Squicciarini	NR3Z	393-1492
Digital/APRS co-chair	Ron Wenig	NY3J	638-9257
FM/Repeater co-chair	Mark Hinkel	WA3QVU	659-4449
HF co-chair	Dennis Shegda	N3KRE	657-7283
Satellite co-chair	Joe Bagnick	N3EMA	997-2539
VHF/UHF/MW co-chair	Al Sheppard	N3ITT	610-847-5490
Emergency Coordinator	Stu Simon	K2QBU	345-9295
Fundraising	Erik D'Onofrio	N3YNX	675-9165
Hamwear	Bob Wilderman	K3SRO	822-7474
Holiday Dinner co-chair	Berni Lindinger	N3RJD	343-5249
Holiday Dinner co-chair	Doug Mahoney	N3RJE	343-5249
Interference	Tom Michaud	WA3TQJ	343-3494
Net Manager	George Brechmann	N3HBT	443-5656
Notary Public	Whitey Metzger	AA3FT	947-0843
Publicity	Alan Ash	KA3YCG	357-9286
RACES Liaison	Bob Phillips	KA3VKU	766-0456
Refreshments	Randy Gehman	N3LJE	822-9473
Repeater Coordinator	Brian Taylor	N3EXA	257-6303
SKYWARN Liaison	Mike Patton	W3MJP	491-9665
Station Trustee	George Brechmann	N3HBT	443-5656
Sunshine Club	Vince Pironti	KD3TC	674-0446
Township Liaison	George Brechmann	N3HBT	443-5656
VE License Testing	Tom Michaud	WA3TQJ	343-3494
WEB Site Coordinator	Al Konschak	WI3Z	491-9941
Youth Programs Co-Chair	Al Folsom	KY3T	343-8851
Youth Programs Co-Chair	Steve Larson	WW3Y	822-1511

Club Station**Meetings****Talk To Us**

The Club Station - K3DN - is located at the Benjamin Wilson Senior Center, Delmont Avenue, Warminster, PA. The station is open for club members and the interested general public on non-holiday Tuesday evenings from 7 to 9 pm . The station is fully operational on HF (80 meters through 10 meters) both phone and CW. There is an assortment of amateur radio shareware which may be copied under the shareware licensing agreement.

For additional information on the Club Station please call the Station Manager N3HBT - George at 215-443-5656.

- WARC Meetings are held the first Thursday of each month at 7:30 pm at the Benjamin Wilson Senior Center, Delmont Avenue, Warminster, PA. Talk in is available on the 147.09 & 443.950 repeaters.

APRS on 144.390

K3DN is also operating APRS on 144.390

Internet Connection

For general club correspondence:
k3dn@k3dn.org

For Feedback articles:

wa4ywm@comcat.com

Visit our Home Page on the WWW:

<http://www.k3dn.org>

**Federal Communications
Commission**

1270 Fairfield Road
Gettysburg, PA 17325

License Information

800-322-1117 - M-F 0800-1630

Fax-On-Demand 202-418-0177

FEEDBACK

Warminster Amateur Radio Club
Box 113
Warminster, Pa 18974

**Address Service Requested. If
Undeliverable, Return to Sender.**